

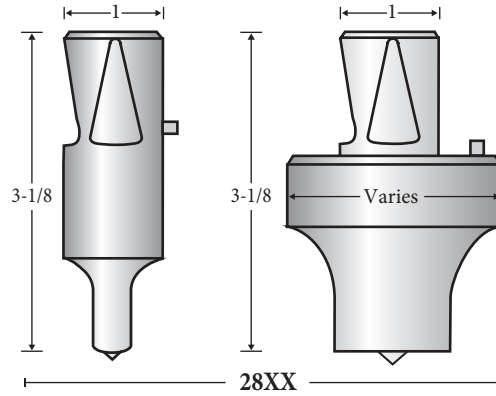


W.A. Whitney™ Machines

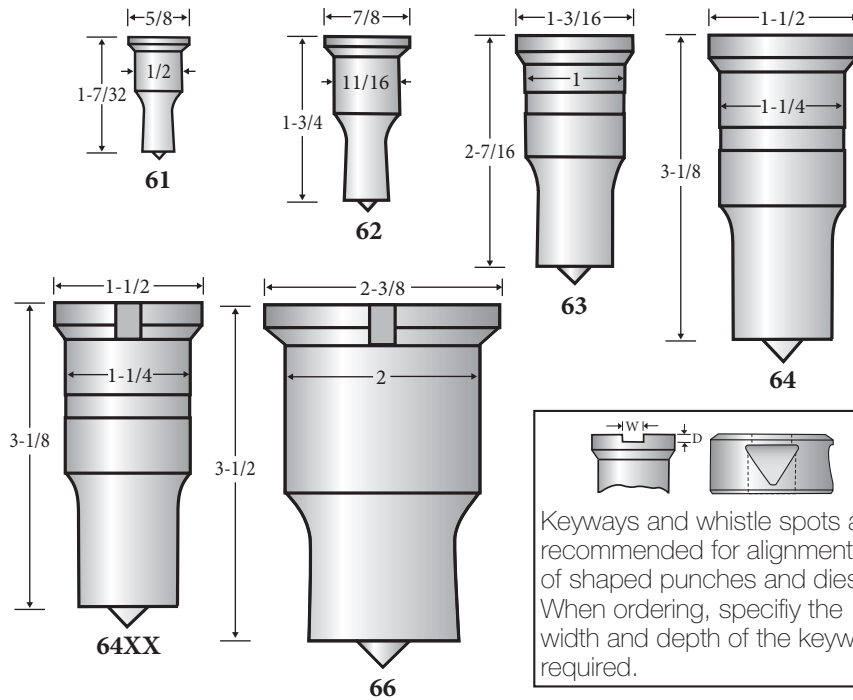
Model	Punch	Die
606	28XX	28XX
609	28XX	28XX
610	28XX	28XX
612	28XX	28XX
613	28XX	28XX
615	28XX	28XX
625	28XX	28XX
626	28XX	28XX
627	28XX	28XX
630	28XX	28XX
635	28XX	28XX
637	28XX	28XX
647	28XX	28XX
647 ATC	36TC™	36TC™
647 Plus	36TC™	36TC™
647 Plus II	36TC™	36TC™
650	28XX	28XX
652	28XX	28XX
653	28XX	28XX
655	28XX	28XX
656	28XX	28XX
661-120	36TC™	36TC™
661-60	36TC™	36TC™
661-84	36TC™	36TC™
661-84 ATC	36TC™	36TC™
661-96 ATC	36TC™	36TC™
705	61	49
710	62	48
710CC	62	49
720	62	48
720X4	62	48
720X6	62	48

Note: W.A. Whitney™ machines use Punch Style 64XX or 66 and Die Style 47XX for Oversize Hole Punching.

PUNCHES



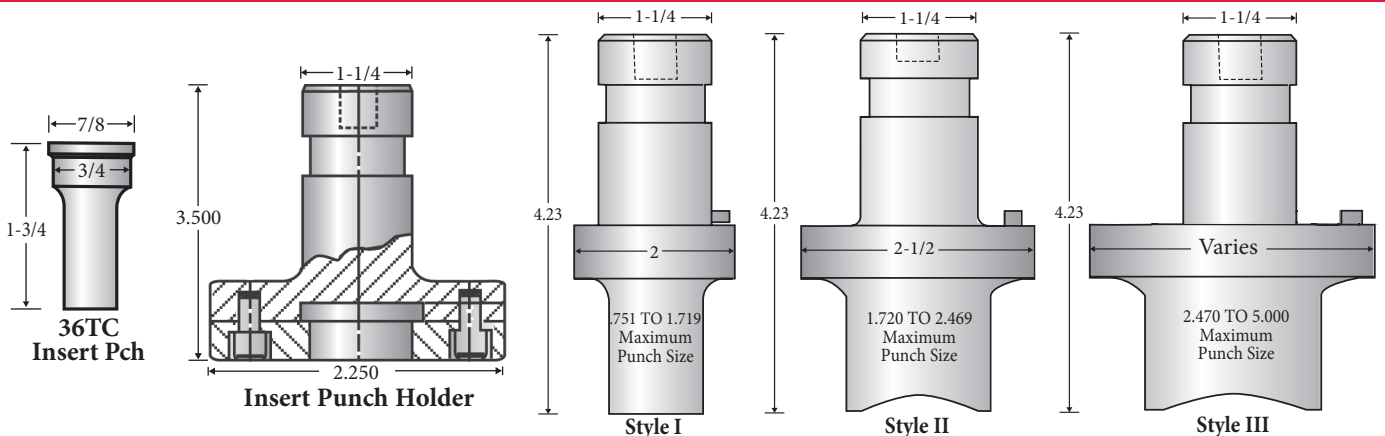
See page 14 for more information on 28XX punches.



Keyways and whistle spots are recommended for alignment of shaped punches and dies. When ordering, specify the width and depth of the keyway required.

W.A. Whitney™

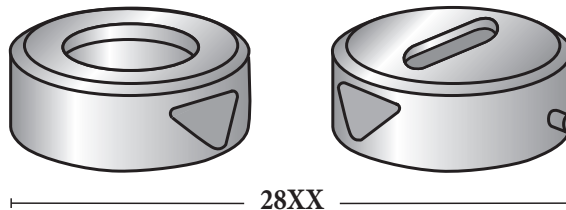
36TC™ PUNCHES



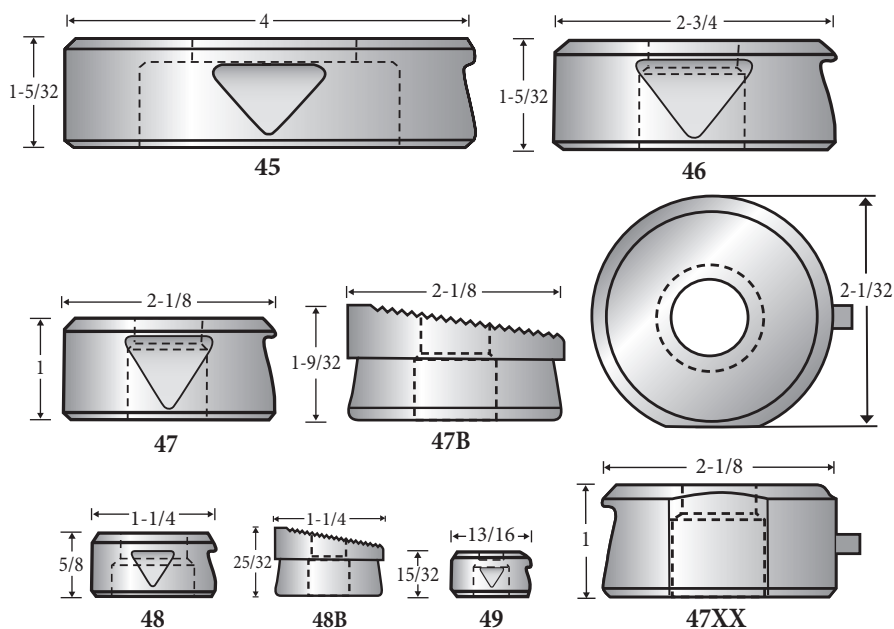
W.A. Whitney™ Machines

Model	Punch	Die
721	62	48
730	63	47
730CC	63	48
730X8	63	47
730X8CC	63	48
731	63	48
750	63	47
750AX6	64	47
751	63	47
751AX7	64	47
770	64	47
771	64	47
771AX9	64	47
790	64	47
790AX6	64	47
791	64	47
791AX18	64	47
791AX30	64	47
791X18	64	47
796 Beamline	64	47XX
845 Anglematic	64	47XX
1524	28XX	28XX
2120	28XX	28XX
2330	28XX	28XX
2530	28XX	28XX
2548	28XX	28XX
7130-60	64	47XX
7150AX12	64	45
7150AX6	64	46
7151AX12	64	46
7250AX12	66	45

DIES



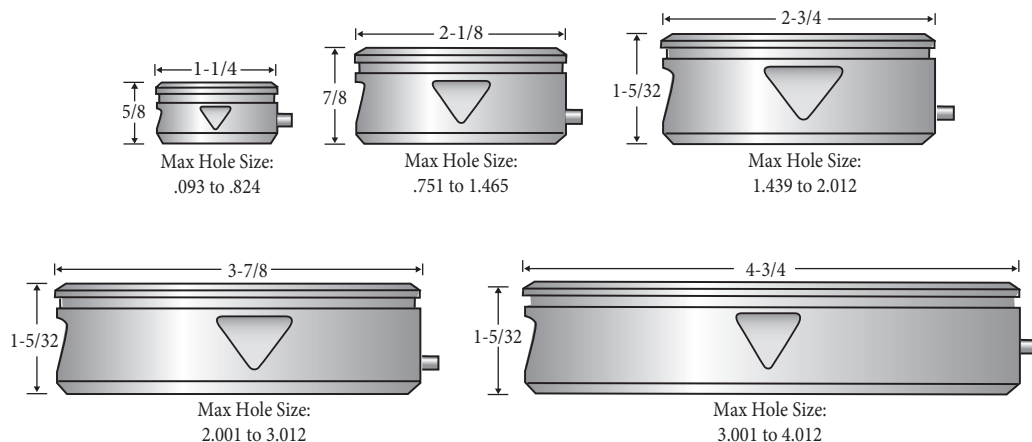
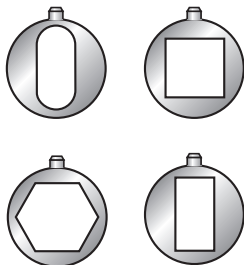
See page 14 for more information on 28XX dies.



Note: W.A. Whitney™ machines use Punch Style 64XX or 66 and Die Style 47XX for Oversize Hole Punching.

36TC™ DIES

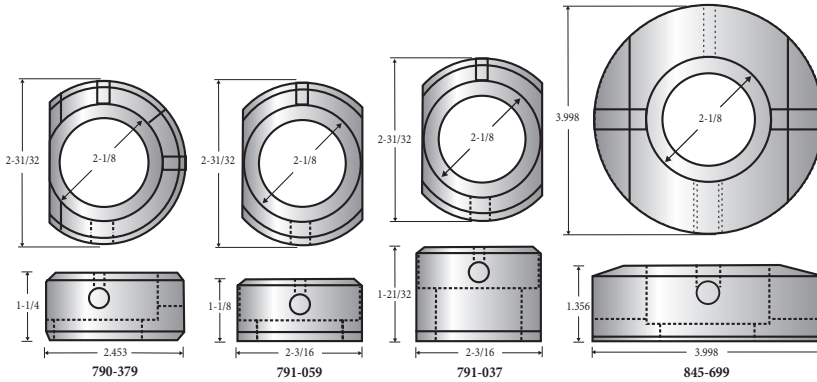
Note: Standard locating pin position on shaped dies





W.A. Whitney™ Machines

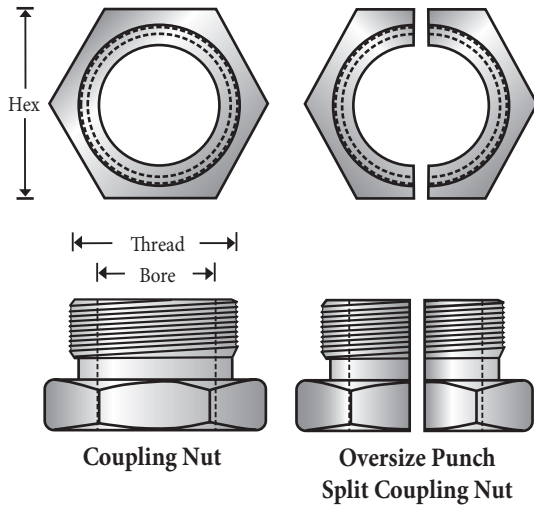
DIE ADAPTERS



Die Adapter	Die Dia.	Die Clamp	Die Pin
636-381	1-1/4"	630-268*	N/A
636-382	2-1/8"	630-269*	N/A
636-436	2-3/4"	N/A	636-604
636-437	3-3/4"	N/A	636-605
636-438	4-3/4"	N/A	636-606
845-699	2-1/8"	N/A	N/A

*Uses 630-271 adapter screw.

COUPLING NUTS

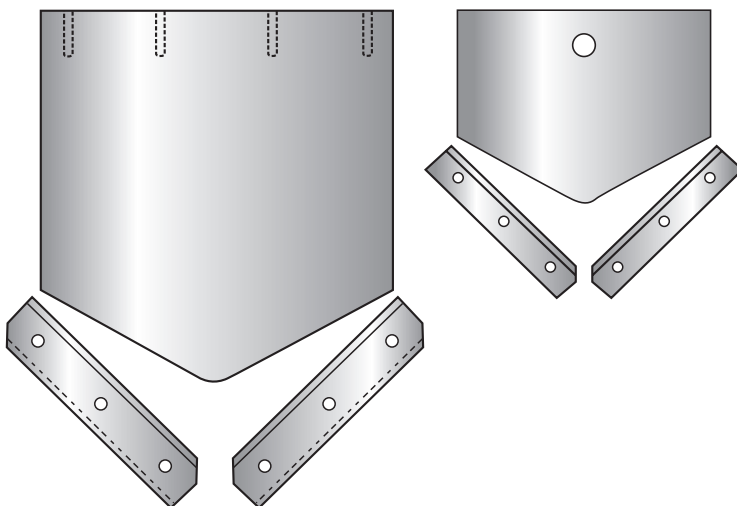


Part No.	Thread	Bore	Hex	Punch
CNUT62	16, 1"	11/16"	1"	62
CNUT63	12, 1-3/8"	1"	1-3/4"	63
CNUT64	12, 1-3/4"	1-1/4"	2"	64
790-061	12, 1-3/4"	1-1/4"	2"	64
845-689	12, 1-3/4"	1-1/4"	2-1/16"	64

Note: Threads are right hand

Call or visit our website for information on
Punch Stem Adapters for W.A. Whitney™ Machines.

SHEAR BLADES



Model	Upper Shear Blade	Lower Shear Blade
606	606-008	606-010 (2) Left 606-113 (2) Right
609	609-004	609-039 (2) Left 609-040 (2) Right
664	664-061	609-039 (2) Left 609-040 (2) Right
764	664-061	609-039 (2) Left 609-040 (2) Right
765	765-036	765-032 (4)
845	609-004	845-269 (2) Right 845-270 (2) Left