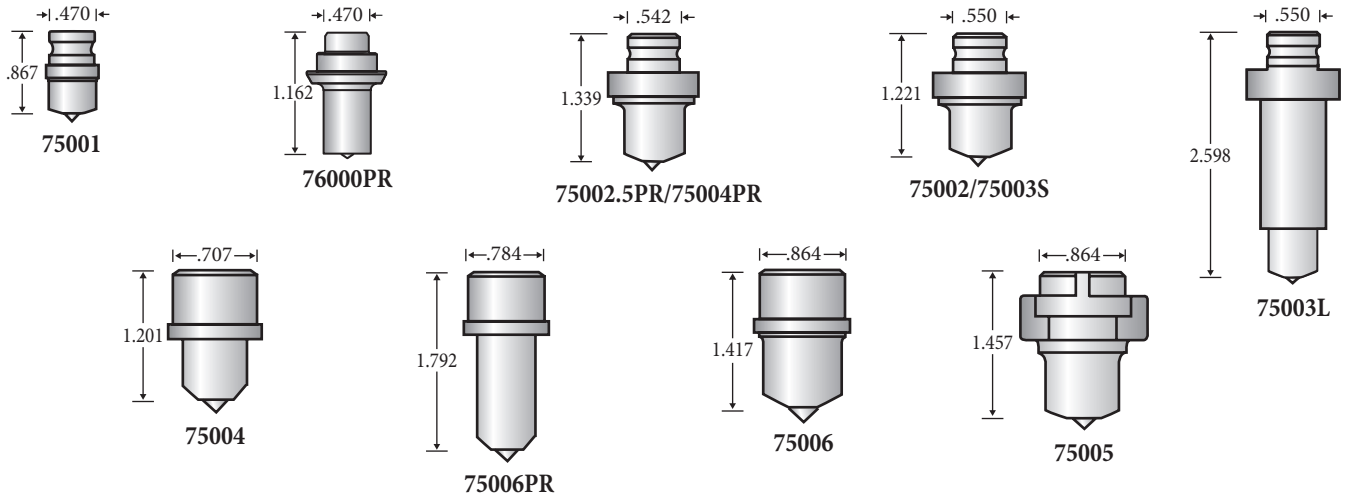
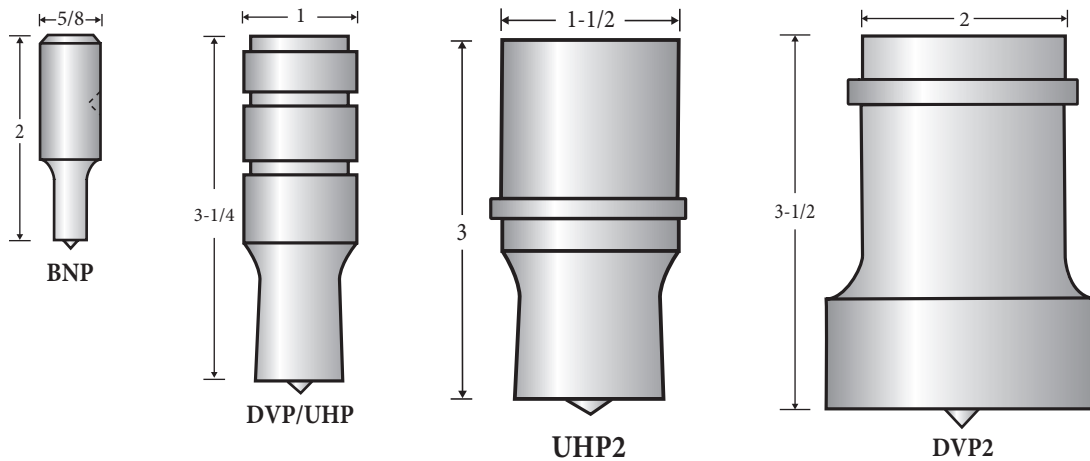


# Non-Headed Punch Styles

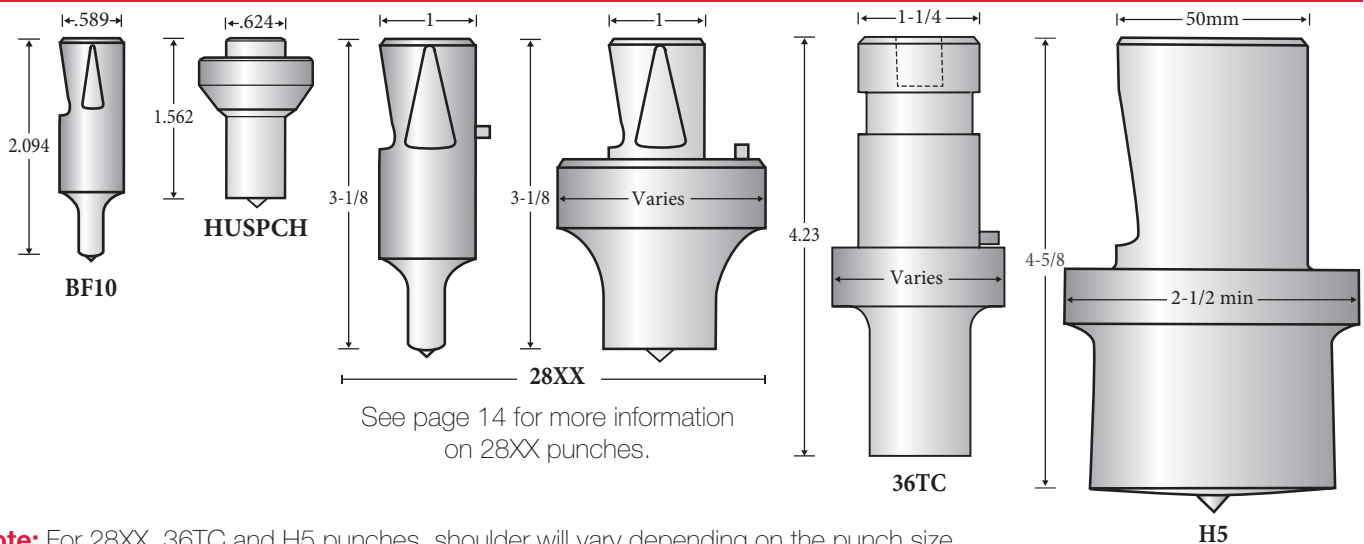
## HOUGEN - OGURA PUNCHES



## STRAIGHT SHANK PUNCHES



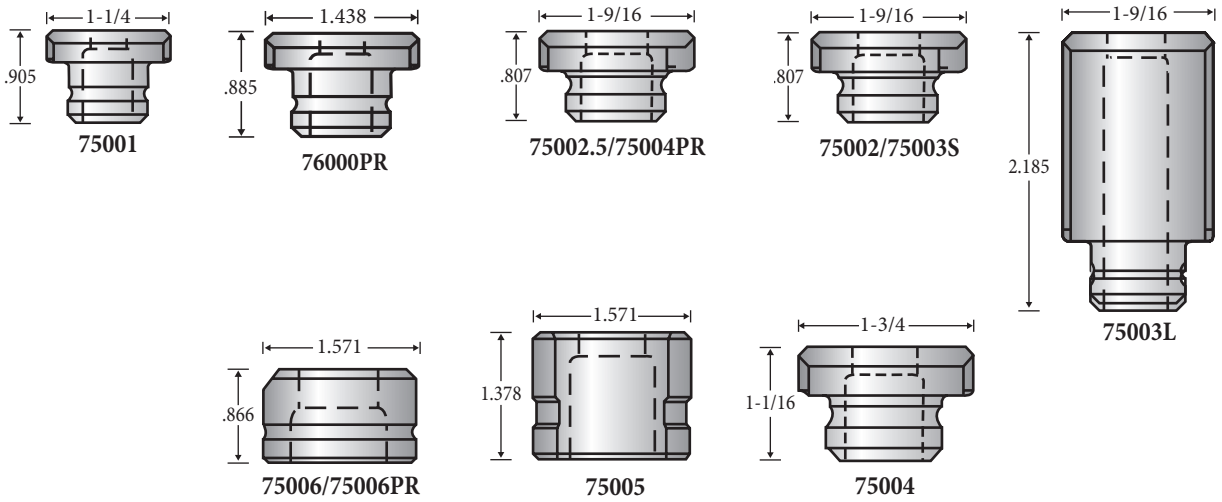
## SHOULDER PUNCHES



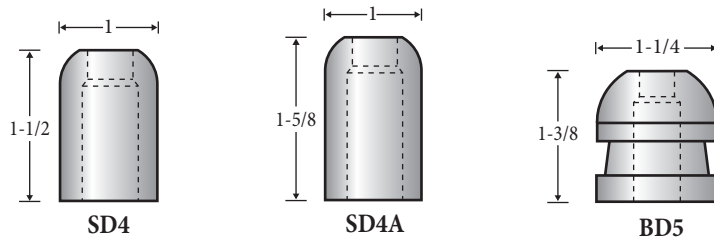
**Note:** For 28XX, 36TC and H5 punches, shoulder will vary depending on the punch size.

# Alternate Die Styles

## HOUGEN - OGURA DIES



## CULVERT DIES



## BUFFALO DIES

