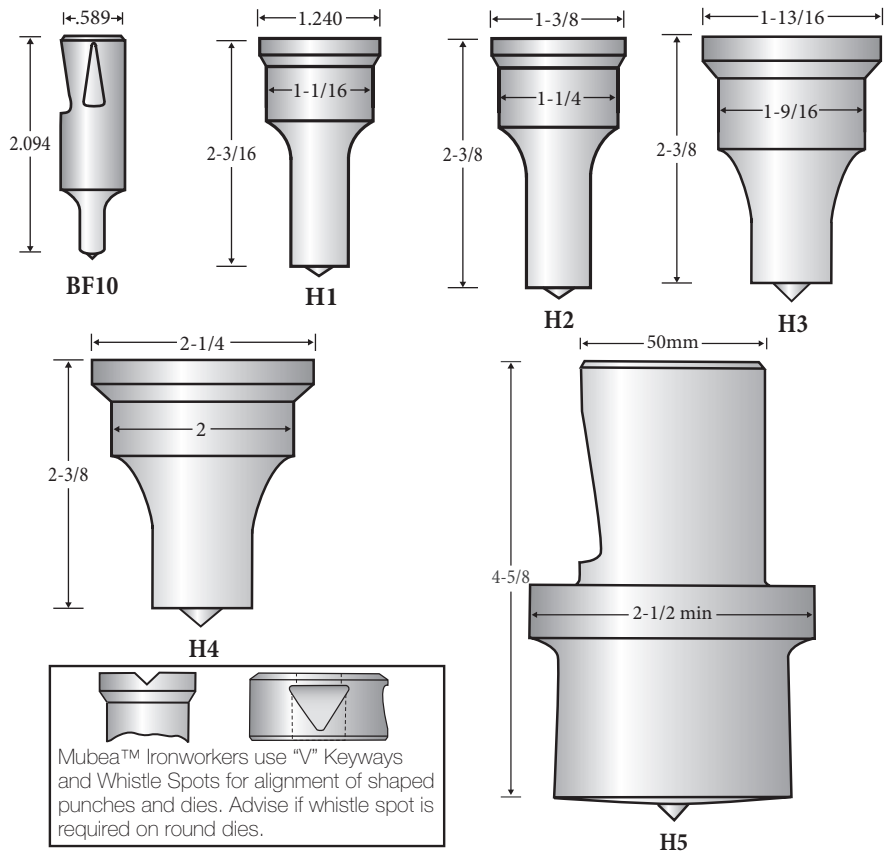


Mubea™ Ironworkers

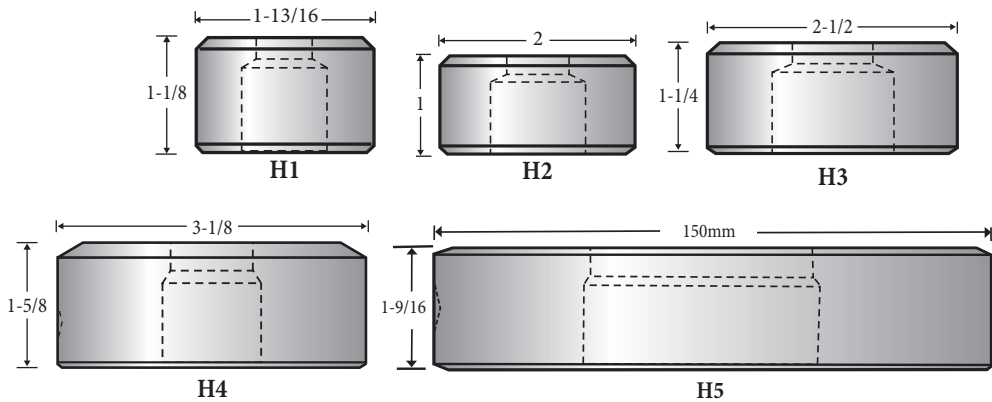
Mubea™

Model	Punch	Die
0	H1	H1
48-4	H1	H1
50-4	H1	H1
71-5	H1	H1
88-6	H1	H1
110-7	H2	H2
143	H2	H2
143-8	H2	H2
350	BF10	H1
350E	H1	H1
450	H1	H1
500	H1	H1
550	H1	H1
560	H1	H1
600	H1	H1
700	H1	H1
750	H1	H1
800	H1	H1
900	H2	H2
900	H2	H2
1100	H2	H2
1300	H2	H2
BF10	BF10	H1
BFL 350	H1	H1
BFLH 400	H1	H1
Bulldog 65	H1	H2
HIW 450	H1	H1
HIW 1000	H2	H2
HIW 1000	H2	H2
HP 450	H1	H1
HPS 250	H1	H1
HPSN 350	H1	H1
KBL 0	H1	H1
KBL 1/2	H1	H1
KBL 1-1/2	H1	H1
KBL 3-1/2	H2	H2
KBLH 500	H1	H1
KBLH 1000	H2	H2
KL 33	H1	H1
KL 110	H2	H2
KLH 500	H1	H1
KLH 1000	H2	H2
KLS 1100	H2	H2
KLSH 550	H1	H1
KLSH 1000	H2	H2
KLSH 1000	H2	H2
MIW 400	H1	H1
Profi 500	H1	H1
KLSH 550	H1	H1
MIW 400	H1	H1
Profi 500	H1	H1

PUNCHES

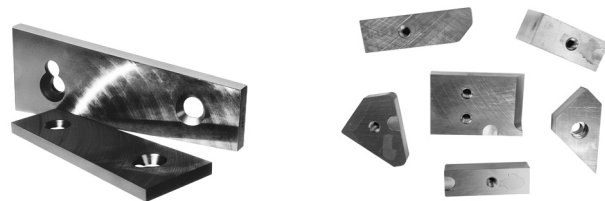


DIES



SHEAR BLADES

We manufacture Shear Blades for all types of Ironworkers and can custom manufacture to your specifications.



Note: Mubea™ Ironworkers use H3, H4, H5 for Oversize Hole Punching.